

GBU100X SERIES

GLASS PASSIVATED SINGLE-PHASE BRIDGE RECTIFIER

产

品

规

格

确

认

书

GBU10005 THRU GBU1010



康比電子
HORNBY ELECTRONIC

GLASS PASSIVATED SINGLE-PHASE BRIDGE RECTIFIER

REVERSE VOLTAGE: 50 to 1000 VOLTS

FORWARD CURRENT: 10.0 AMPERE

FEATURES

- Glass passivated chip junction
- Reliable low cost construction utilizing molded plastic technique
- Ideal for printed circuit board
- Low forward voltage drop
- Low reverse leakage current
- High surge current capability

MECHANICAL DATA

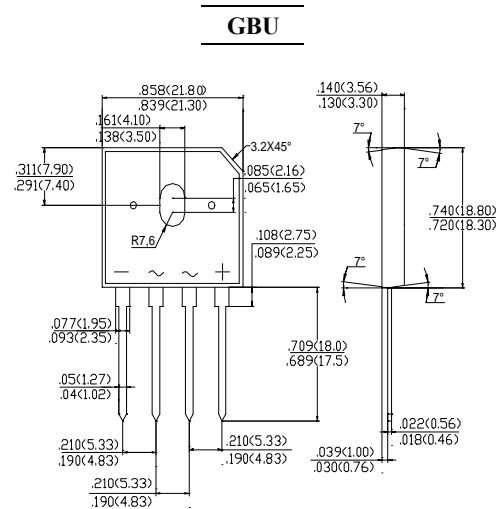
Case: Molded plastic, GBU

Epoxy: UL 94V-O rate flame retardant

Terminals: Leads solderable per MIL-STD-202, method 208 guaranteed

Mounting position: Any

Weight: 0.15ounce, 4.0gram



Dimensions in inches and (millimeters)

Maximum Ratings and Electrical Characteristics

Ratings at 25 °C ambient temperature unless otherwise specified.

Single phase, half wave, 60Hz, resistive or inductive load.

For capacitive load, derate current by 20%.

	Symbols	GBU10005	GBU1001	GBU1002	GBU1004	GBU1006	GBU1008	GBU1010	Units
Maximum Recurrent Peak Reverse Voltage	V_{RRM}	50	100	200	400	600	800	1000	Volts
Maximum RMS Voltage	V_{RMS}	35	70	140	280	420	560	700	Volts
Maximum DC Blocking Voltage	V_{DC}	50	100	200	400	600	800	1000	Volts
Maximum Average Forward Rectified Current at $T_C=100$	$I_{(AV)}$	10.0							Amp
Peak Forward Surge Current, 8.3ms single half-sine-wave superimposed on rated load (JEDEC method)	I_{FSM}	200							Amp
Maximum Forward Voltage at 10.0A DC and 25	V_F	1.0							Volts
Maximum Reverse Current at $T_A=25$ at Rated DC Blocking Voltage $T_A=125$	I_R	5.0 500							uAmp
Typical Junction Capacitance (Note 3)	C_J	255				125			pF
Typical Thermal Resistance (Note 1)	$R_{\theta JA}$	8.6							/W
Typical Thermal Resistance (Note 2)	$R_{\theta JC}$	3.1							/W
Operating and Storage Temperature Range	T_J, T_{stg}	-55 to +150							

NOTES:

1- Units Mounted in free air, no heatsink, P.C.B at 0.375"(9.5mm) lead length with 0.5 x 0.5"(12 x 12mm)copper pads.

2- Units Mounted on a 2.6 x 1.4" x 0.06" thick (6.5 x 3.5 x 0.15cm) AL plate.

3- Measured at 1 MHz and applied reverse voltage of 4.0 VDC.

4- Recommended mounting position is to bolt down on heatsink with silicone thermal compound for maximum heat transfer with #6 screws

GBU10005 THRU GBU1010

GLASS PASSIVATED SINGLE-PHASE BRIDGE RECTIFIER



康比電子
HORNBY ELECTRONIC

RATINGS AND CHARACTERISTIC CURVES

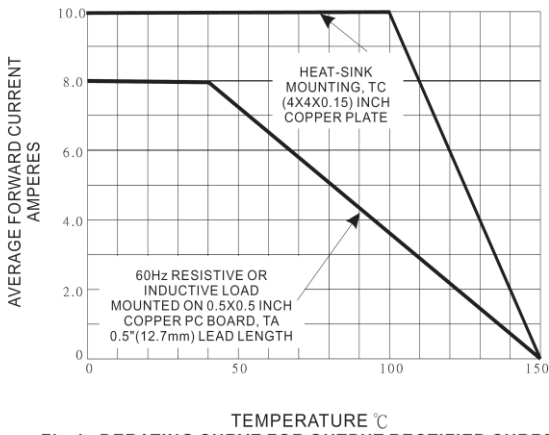


Fig.1 - DERATING CURVE FOR OUTPUT RECTIFIED CURRENT

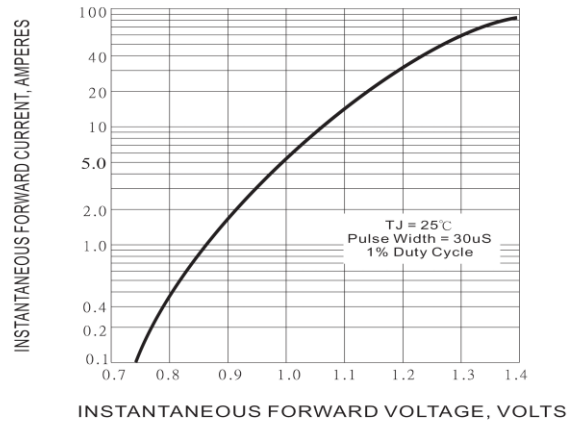


Fig.2 - TYPICAL INSTANTANEOUS FORWARD CHARACTERISTICS PER ELEMENT

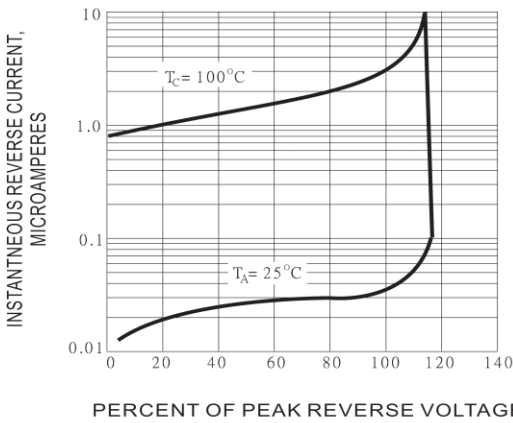


Fig.3 - TYPICAL REVERSE CHARACTERISTICS

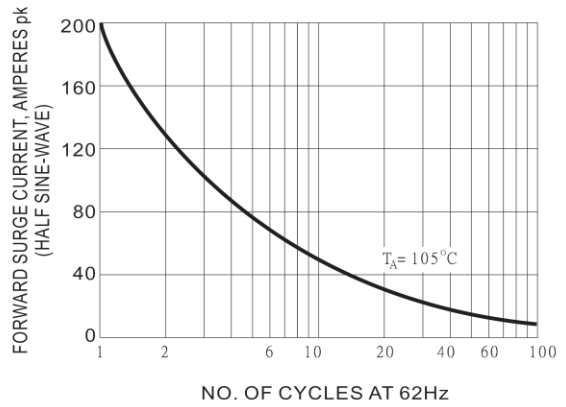


Fig.4 - MAXIMUM NON-REPETITIVE PEAK FORWARD SURGE CURRENT

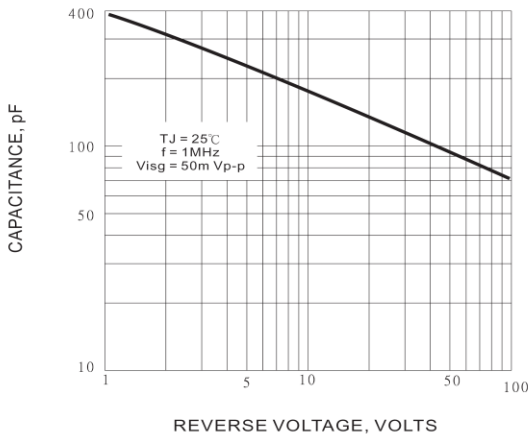


Fig.5 - TYPICAL JUNCTION CAPACITANCE PER ELEMENT