



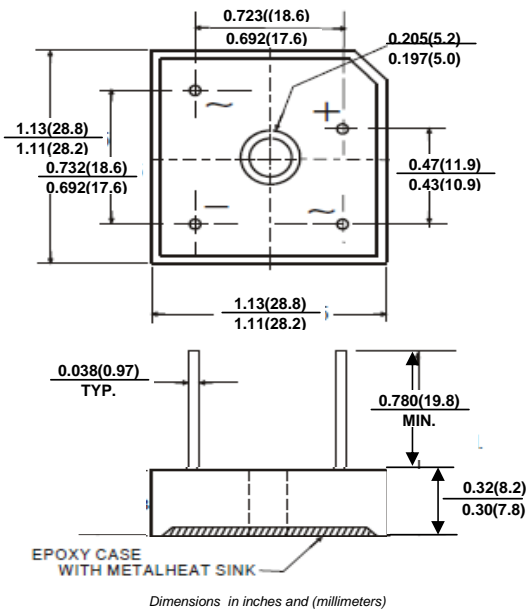
# KBPC15005WN THRU KBPC1510WN

## Single Phase 15.0 AMPS. Silicon Bridge Rectifiers

Reverse Voltage - 50 to 1000 Volts Forward Current - 15.0 Ampere

### BR-35WN

### FEATURES



- ◆ High surge forward current capability
- ◆ Plastic material has underwriters laboratory flammability classification 94V-0
- ◆ Mounting position: Any

### MECHANICAL DATA

**Case:** Molded plastic  
**Terminals:** Solderable per MIL-STD-750 · Method 2026  
**Lead:** solder plated  
**Polarity:** As marked

### MAXIMUM RATINGS AND ELECTRICAL CHARACTERISTICS

Ratings at 25°C ambient temperature unless otherwise specified.

Single phase half-wave 60Hz, resistive or inductive load, for capacitive load current derate by 20%.

PARAMETER	SYMBOLS	KBPC 15005WN	KBPC 1501WN	KBPC 1502WN	KBPC 1504WN	KBPC 1506WN	KBPC 1508WN	KBPC 15010WN	UNITS
Maximum repetitive peak reverse voltage	$V_{RRM}$	50	100	200	400	600	800	1000	V
Maximum RMS voltage	$V_{RMS}$	35	70	140	280	420	560	700	V
Minimum DC Breakdown Voltage	$V_{DC}$	50	100	200	400	600	800	1000	V
Maximum Average Forward Rectified Current With heatsink $T_c = 55^\circ\text{C}$	$I_{F(AV)}$	15							A
Peak Forward Surge Current, 8.3 ms Single Half Sine-wave Superimposed on Rated Load (JEDEC method)	$I_{FSM}$	300							A
Maximum Instantaneous Forward Voltage @ 7.5A	$V_F$	1.1							V
Maximum DC Reverse Current @ $T_A = 25^\circ\text{C}$ rated DC blocking voltage per leg $T_A = 125^\circ\text{C}$	$I_R$	10.0 500							$\mu\text{A}$
Typical Thermal Resistance (Note 2)	$R_{\theta JC}$	2.3							$^\circ\text{C/W}$
$I^2t$ Rating for fusing ( $t < 8.3\text{ms}$ )	$I^2t$	375							$\text{A}^2\text{S}$
Mounting Torque (Note 3)	$T_{OR}$	20							kg·cm
Dielectric Strength at Terminals to case · AC 1 minute	$V_{dis}$	2.5							KV
Operating Temperature Range	$T_J$	-55 to +125							$^\circ\text{C}$
Storage Temperature Range	$T_{STG}$	-55 to +150							$^\circ\text{C}$

- Note:**
1. Measured at 1.0MHz and applied reverse voltage of 4.0V DC
  2. Between junction and case, with heatsink
  3. Recommend torque : 10kg·cm



# KBPC15005WN THRU KBPC1510WN

## RATINGS AND CHARACTERISTIC CURVES

FIG. 1-MAXIMUM NONO-REPETITIVE FORWARD SURGE CURRENT PER BRIDGE ELEMENT

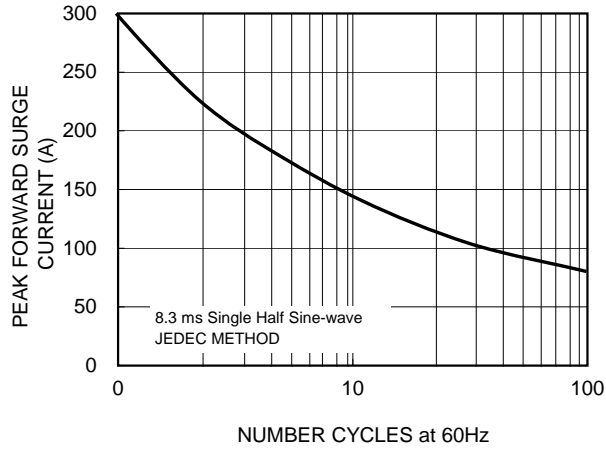


FIG. 2 MAXIMUM FORWARD CURRENT DERATING CURVE

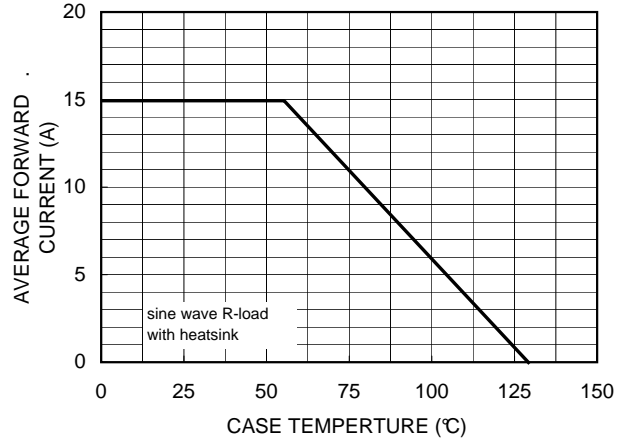


FIG. 3-TYPICAL REVERSE CHARACTERISTICS PER BRIDGE ELEMENT

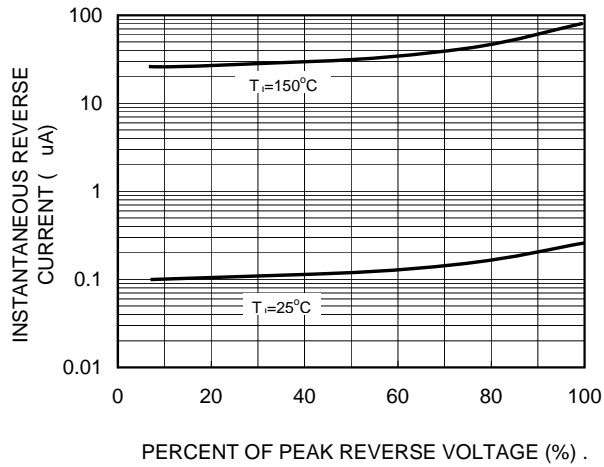


FIG. 4-TYPICAL INSTANTANEOUS FORWARD CHARACTERISTICS PER BRIDGE ELEMENT

