



MB2M THRU MB10M

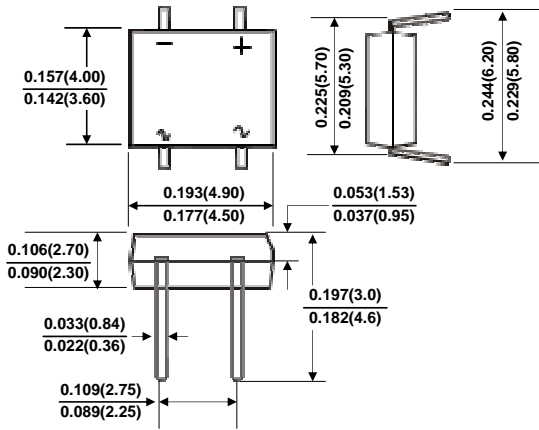
Single-Phase Silicon Bridge Rectifiers

Reverse Voltage -200V to 1000 Volts Forward Current - 0.8 Amperes

MBM

FEATURES

- ◆ UL Recognized File # E-230084
- ◆ Ideal for printed circuit board
- ◆ Reliable low cost construction technique results in inexpensive product
- ◆ High temperature soldering guaranteed:
260°C / 10 seconds / 0.375" (9.5mm)
lead length at 5 lbs., (2.3 kg) tension
- ◆ Pb free product : 99% Sn above can meet RoHS
environment substance directive request



Dimensions in inches and (millimeters)

MECHANICAL DATA

Case: Molded plastic

Terminals: Solderable per MIL-STD-750 · Method 2026

Lead: solder plated

Polarity: As marked

Mounting Position: Any

MAXIMUM RATINGS AND ELECTRICAL CHARACTERISTICS

Ratings at 25°C ambient temperature unless otherwise specified.

Single phase half-wave 60Hz, resistive or inductive load, for capacitive load current derate by 20%.

PARAMETER	SYMBOLS	MB2M	MB4M	MB6M	MB8M	MB10M	UNITS
Maximum repetitive peak reverse voltage	V_{RRM}	200	400	600	800	1000	V
Maximum RMS voltage	V_{RMS}	140	280	420	560	700	V
Minimum DC Breakdown Voltage	V_{DC}	200	400	600	800	1000	V
Maximum Average Forward Rectified Current @ $T_A = 40^\circ C$	$I_{F(AV)}$	0.8					A
Peak Forward Surge Current, 8.3 ms Single Half Sine-wave Superimposed on Rated Load (JEDEC method)	I_{FSM}	30					A
Maximum Instantaneous Forward Voltage @ 0.8A	V_F	1.1					V
Maximum DC Reverse Current @ $T_A=25^\circ C$ rated DC blocking voltage per leg @ $T_A=125^\circ C$	I_R	5.0 500					μA
Typical junction capacitance per leg at 4.0V, 1MHz	C_J	13					pF
Typical Thermal Resistance pre leg (note)	$R_{\theta JC}$	75					$^\circ C/W$
Operating Temperature and Storage Temperature Range	T_J, T_{STG}	-55 to +150					$^\circ C$

Note: Thermal Resistance Junction to Case.



MB2M THRU MB10M

RATINGS AND CHARACTERISTIC CURVES

FIG. 1- FORWARD CURRENT DERATING CURVE

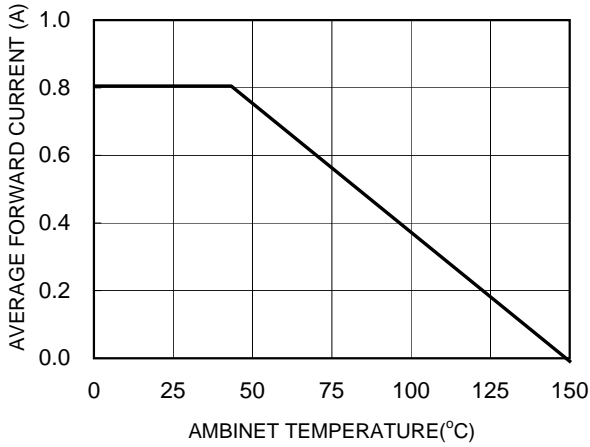


FIG. 2-MAXIMUM NONO-REPETITIVE FORWARD SURGE CURRENT CHARACTERISTICS

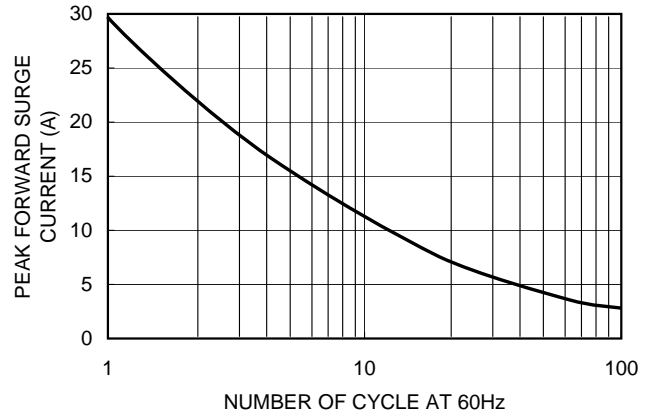


FIG. 3-TYPICAL INSTANTANEOUS FORWARD CHARACTERISTICS

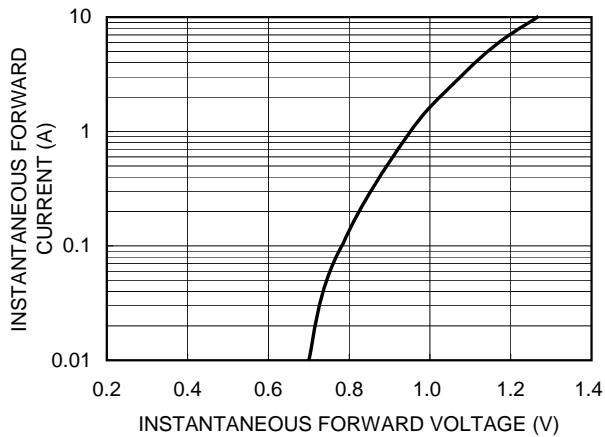


FIG. 4-TYPICAL REVERSE CHARACTERISTICS

